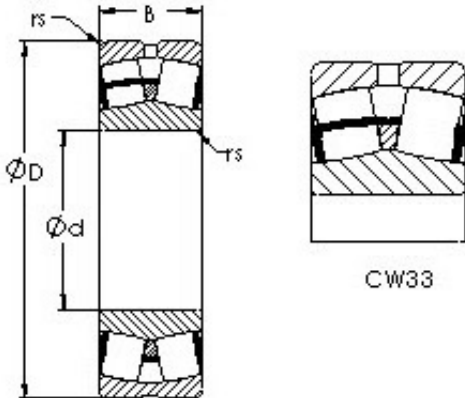




# BEARING PRECISION AXLE CORP.



## AST 23264CAW33 spherical roller bearings

Bearing No. 23264CAW33

Size	320x580x208 mm
Bore Diameter	320 mm
Outer Diameter	580 mm
Width	208 mm
Bearing Type	straight bore, lube groove and holes
Bore Dia (d)	320.0000
Outer Dia (D)	580.0000
Width (B)	208.0000
Radius (min) (rs)	5.000
Dynamic Load Rating (Cr)	4,020,000
Static Load Rating (Cor)	7,007,000
Max Speed (Grease) (X1 RPM)	0
Max Speed (Oil) (X000 RPM)	1
Weight (g)	243,800.00
Material	52100 Chrome steel, or equivalent

23264CAW33 Bearing 2D drawings and 3D CAD models