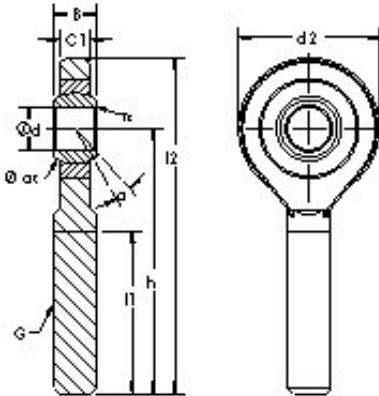




BEARING PRECISION AXLE CORP.



SAZP15S Bearing 2D drawings and 3D CAD models

AST SAZP15S plain bearings

Bearing No. SAZP15S

Bore Diameter	15,875 mm
Width	19,05 mm
Bearing Type - steel-on-bronze	steelonbronze
Bore Dia (d)	0.6250
Width (B)	0.7500
Radius (min) (rs)	0.024
Dynamic Load Rating (Cr)	4,496
Static Load Rating (Cor)	4,721
Spherical Diameter (dk or Dk)	1.125
Mis-alignment Angle (a deg.)	11
Thread Length (l1)	1.625
Bore Center to End of Rod (h)	2.625
Rod Overall Length (l2)	3.375
Rod End Thickness (C1)	0.562
Thread Size (G) - 5/8-18 UNF	5/818 UNF
Rod End Width (d2)	1.500
Weight (g)	180.00
Material - Body - Carbon steel-zinc plated, Ball - Hardened chrome steel-chrome plated, Liner	Bronze