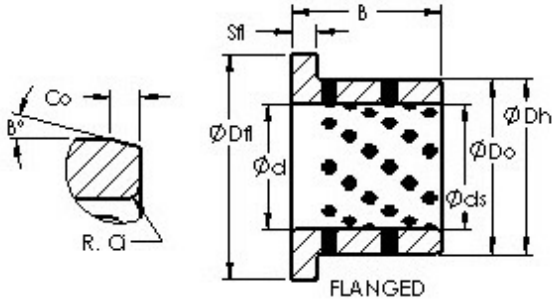




BEARING PRECISION AXLE CORP.

AST AST650 F9011060 plain bearings



Bearing No. AST650 F9011060

| | |
|--|--|
| Bore Diameter | 90 mm |
| Outer Diameter | 110 mm |
| Bearing Type | flanged |
| Shaft Dia., Nominal (d) | 90.0000 |
| Housing Bore Dia. (Dh) - 110 +0.035 / -0 | 110 +0.035 / 0 |
| Bearing Outside Diameter, Nominal(Do) | 110.000 |
| Bearing Outside Diameter Tolerance (Do tol.) | 110 +0.035 / +0.013 |
| Bearing Bore after Mounting (di) | 90 +0.071 / +0.036 |
| Bearing Length, Nominal (B) | 60.000 |
| Bearing Length Tolerance (B tol.) - -0.10 / -0.30 | 0.10 / 0.30 |
| OD Chamfer Length (Co) | 3.000 |
| ID Chamfer Angle (B deg.) | 15 |
| ID Chamfer Length (Ci) | 1.200 |
| Flange Dia. (Dfl pm 0.5) | 130.000 |
| Material | Cast bronze with solid lubricant inserts. |

AST650 F9011060 Bearing 2D drawings and 3D CAD models