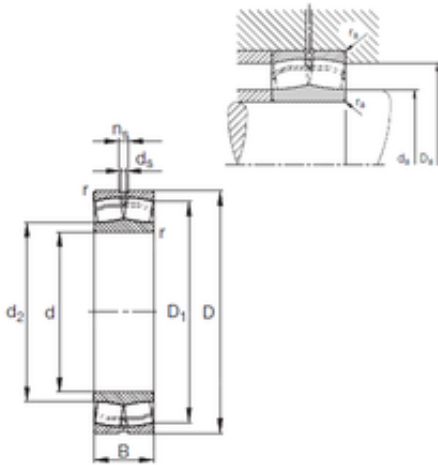




BEARING PRECISION AXLE CORP.

420 mm x 700 mm x 280 mm FAG 24184-E1 spherical roller bearings

Bearing No. 24184-E1



24184-E1 Bearing 2D drawings and 3D CAD models

Size	420x700x280 mm
Bore Diameter	420 mm
Outer Diameter	700 mm
Width	280 mm
d	420 mm
D	700 mm
B	280 mm
C	280 mm
n	23,5 mm
r min.	6 mm
D1	591,5 mm
da min.	446 mm
Da max.	674 mm
ra max.	5 mm
d5	12,5 r/min
Weight	427 Kg
Basic dynamic load rating (C)	7400 kN
Basic static load rating (C0)	12600 kN
Fatigue load limit (Pu)	870
Reference speed	270 r/min
Limiting speed	560 r/min
Calculation factor (e)	0,39
Calculation factor (Y0)	1,68
Calculation factor (Y1)	1,72
Calculation factor (Y2)	2,56



BEARING PRECISION AXLE CORP.