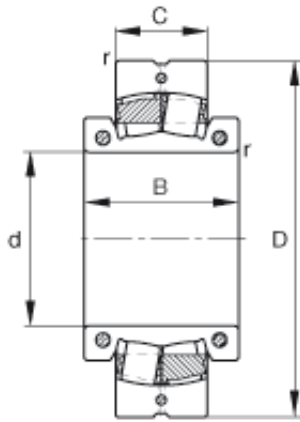




## BEARING PRECISION AXLE CORP.



### 320 mm x 580 mm x 258 mm FAG 231SM320-MA spherical roller bearings

Bearing No. 231SM320-MA

Size	320x580x190 mm
Bore Diameter	320 mm
Outer Diameter	580 mm
Width	190 mm
d	320 mm
D	580 mm
C	190 mm
B	258 mm
$r_{\min}$	5 mm
m	226 kg / Weight
$C_r$	3100000 N / Dynamic load rating (radial)
e	0,3
$Y_1$	2,26
$Y_2$	3,37
$C_{0r}$	5200000 N / Static load rating (radial)
$Y_0$	2,21
$n_G$	400 1/min / Limiting speed
$C_{ur}$	325000 N / Fatigue limit load, radial
$F_{a \max}$	60000 N / Permissible axial load, for inner ring without axial abutment
$M_i$	295 Nm / Tightening torque per clamping screw

231SM320-MA Bearing 2D drawings and 3D CAD models



## BEARING PRECISION AXLE CORP.

$M_a$	190 Nm / Tightening torque per clamping screw
	23168K / Designation, spherical roller bearing, unsplit
- H3168-HG / Adapter sleeve	H3168HG / Adapter sleeve