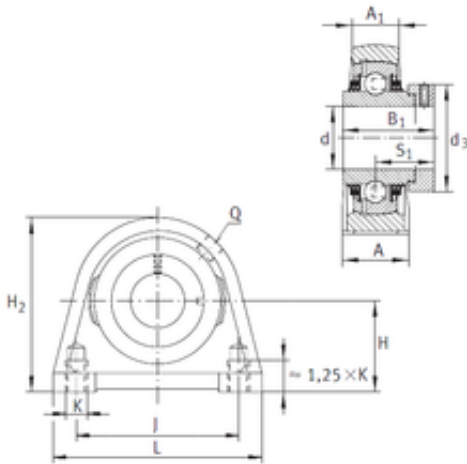




BEARING PRECISION AXLE CORP.

INA TSHE60-N bearing units

Bearing No. TSHE60-N



TSHE60-N Bearing 2D drawings and 3D CAD models

Bore Diameter	60 mm
d	60 mm
Thread (Q)	Rp1/8
Thread (K)	M16
d3	84 mm
A	60 mm
A1	42 mm
B1	77,9 mm
H	69,9 mm
H2	140 mm
J	118 mm
L	150 mm
S	46,9 mm
Weight	4,22 Kg
Basic dynamic load rating (C)	52 kN
Category	Pillow Block Bearings
Inventory	0.0
Manufacturer Name	SCHAEFFLER GROUP
Minimum Buy Quantity	N/A
Weight / Kilogram	5.437
EAN	4012802818581
Product Group	M06110
Number of Mounting Holes	2
Mounting Method	Eccentric Collar
Housing Style	2 Bolt Tap Base Pillow Block
Rolling Element	Ball Bearing



BEARING PRECISION AXLE CORP.

Housing Material	Cast Iron
Expansion / Non-expansion	Non-expansion
Mounting Bolts	16 Millimeter
Relubricatable	Yes
Insert Part Number	GE60KPPB3
Seals	Double Triply
Housing Configuration	1 Piece Solid
Inch - Metric	Metric
Other Features	Single Row Radial Metric With Set Screw
Long Description	2 Bolt Tap Base Pillow Block; 60MM Bore; 70MM Base to Center Height; Eccentric Collar Mount; Ball Bearing; Relubricatable; Cast Iron; Double Triply; Non-expansion
Category	Pillow Block
UNSPSC	31171511
Harmonized Tariff Code	8483.20.40.40
Noun	Bearing
Keyword String	Pillow Block
Manufacturer URL	http://www.ina.com
Manufacturer Item Number	TSHE60
Weight / LBS	10.01
Actual Bolt Center to Center	4.6 Inch 118Millimeter
Base to Center Height	2.756 Inch 70 Millimeter
Bore	2.362 Inch 60 Millimeter
Length Thru Bore	3.063 Inch 77.8 Millimeter
Nominal Bolt Center to Center	4.6 Inch 118 Millimeter