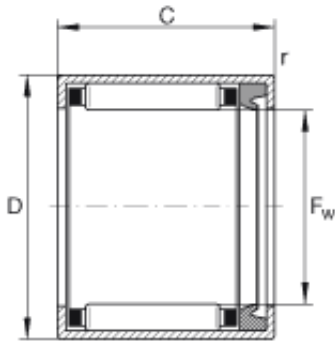




# BEARING PRECISION AXLE CORP.



## INA HK5022-RS needle roller bearings

Bearing No. HK5022-RS

HK5022-RS Bearing 2D drawings and 3D CAD models

Size	50x58x22 mm
Bore Diameter	50 mm
Outer Diameter	58 mm
Width	22 mm
$F_w$	50 mm
D	58 mm
C - 22 mm / Tolerance: -0,3	22 mm / Tolerance: 0,3
$r_{min}$	0,8 mm
m	76 g / Weight
$C_r$	31000 N / Dynamic load rating (radial)
$C_{Or}$	63000 N / Static load rating (radial)
$C_{ur}$	8200 N / Fatigue limit load, radial
$n_{G\text{ Fett}}$	3600 1/min / Limiting speed for grease lubrication
	LR45X50X25,5 / Suitable inner ring
	IR45X50X25,5 / Suitable inner ring
Category	Needle Non Thrust Roller Bearings
Inventory	3.0
Manufacturer Name	SCHAEFFLER GROUP
Minimum Buy Quantity	N/A
Weight / Kilogram	0
EAN	4012802266399



## BEARING PRECISION AXLE CORP.

Product Group	B04144
Rolling Element	Needle Roller Bearing
Component	Roller Assembly with Outer Ring - No Inner Ring
Enclosure	1 Seal
Self Aligning	No
Retainer	Yes
Number of Rows of Rollers	Single Row
Separable	No
Closed End	No
Inch - Metric	Metric
Relubricatable	No
Thrust Bearing	No
Long Description	50MM Bore; 58MM Outside Diameter; 22MM Width; Needle Roller Bearing; Roller Assembly with Outer Ring - No Inner Ring; 1 Seal; Not Self Aligning; Retainer; Single Row of Rollers; Not Separable; Not Clo
Other Features	2 Rib Outer Ring   Drawn Cup Bearing   Steel Cage
Category	Needle Non Thrust Roller Bearing
UNSPSC	31171512
Harmonized Tariff Code	8482.99.65.30
Noun	Roller Assembly with Outer Ring
Keyword String	Bearing Needle
Manufacturer URL	<a href="http://www.ina.com">http://www.ina.com</a>
Manufacturer Item Number	HK5022RS
Weight / LBS	0.168
Outside Diameter	2.283 Inch   58 Millimeter
Bore	1.969 Inch   50 Millimeter



## BEARING PRECISION AXLE CORP.

Width	0.866 Inch   22 Millimeter
-------	----------------------------