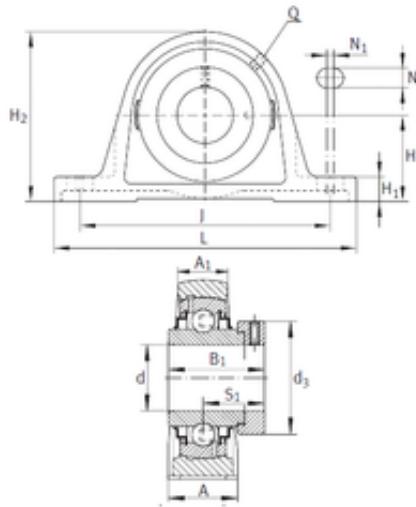




BEARING PRECISION AXLE CORP.



INA RAK1-1/2 bearing units

Bearing No. RAK1-1/2

Bore Diameter	38,1 mm
d	38,1 mm
S1	35,103 mm
Thread (Q)	1/8 NPT
d3	57,989 mm
A	50,013 mm
A1	32,995 mm
B	56,49 mm
H	49,2 mm
H1	19,99 mm
H2	100 mm
J	135,992 mm
L	181,509 mm
N	15,012 mm
N1	10,999 mm
Category	Pillow Block Bearings
Inventory	0.0
Manufacturer Name	SCHAEFFLER GROUP
Minimum Buy Quantity	N/A
Weight / Kilogram	2.383
Product Group	M06110
Number of Mounting Holes	2
Mounting Method	Eccentric Collar
Housing Style	2 Bolt Pillow Block
Rolling Element	Ball Bearing
Housing Material	Cast Iron

RAK1-1/2 Bearing 2D drawings and 3D CAD models



BEARING PRECISION AXLE CORP.

Expansion / Non-expansion	Non-expansion
Relubricatable	Yes
Insert Part Number	G1108KRRB
Seals	Double Land Riding Rubber Contact
Housing Configuration	1 Piece Solid
Inch - Metric	Inch
Other Features	Single Row Low Base With Set Screw
Long Description	2 Bolt Pillow Block; 1-1/2" Bore; 1-15/16" Base to Center Height; Eccentric Collar Mount; Ball Bearing; 4-59/64" Minimum Bolt Spacing; 5.787" Bolt Spacing Maximum; Relubricatable;
Category	Pillow Block
UNSPSC	31171511
Harmonized Tariff Code	8483.20.40.40
Noun	Bearing
Keyword String	Pillow Block
Manufacturer URL	http://www.ina.com
Manufacturer Item Number	RAK1-1/2
Weight / LBS	4.631
Base to Center Height	1.938 Inch 49.225 Millimeter
Bore	1.5 Inch 38.1 Millimeter
Length Thru Bore	2.217 Inch 56.3 Millimeter
Nominal Bolt Center to Center	5.4 Inch 136 Millimeter
Bolt Spacing Minimum	4.921 Inch 125 Millimeter
Actual Bolt Center to Center	0 Inch 0 Millimeter
Bolt Spacing Maximum	5.787 Inch 147 Millimeter