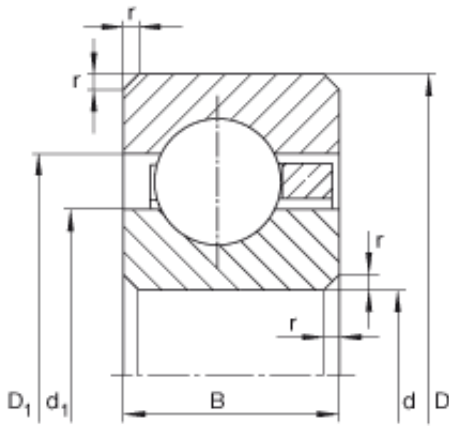




BEARING PRECISION AXLE CORP.

4 inch x 117,475 mm x 7,938 mm INA CSCB040 deep groove ball bearings

Bearing No. CSCB040



CSCB040 Bearing 2D drawings and 3D CAD models

Size	101.6x117.475x7.938 mm
Bore Diameter	101,6 mm
Outer Diameter	117,475 mm
Width	7,938 mm
d	101,6 mm
d	4 inch
D	117,475 mm
B	7,938 mm
D ₁	111,6 mm
d ₁	107,5 mm
r _{min}	1 mm
m	0,13 kg / Weight
C _r	6100 N / Dynamic load rating (radial)
C _{0r}	6900 N / Static load rating (radial)