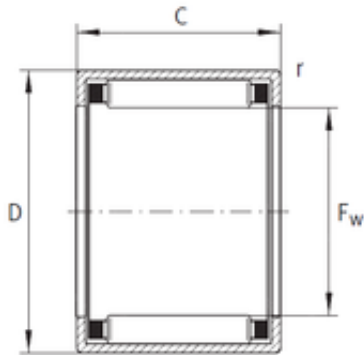




# BEARING PRECISION AXLE CORP.

## INA HK5520 needle roller bearings



HK5520 Bearing 2D drawings and 3D CAD models

Bearing No. HK5520

Size	55x63x20 mm
Bore Diameter	55 mm
Outer Diameter	63 mm
Width	20 mm
Fw	55 mm
D	63 mm
C	20 mm
c1 min	—
r min.	0,8 mm
Weight	0,074 Kg
Basic dynamic load rating (C)	31,5 kN
Basic static load rating (C0)	67 kN
Fatigue load limit (Pu)	8,7
Reference speed	3 800 r/min
Category	Needle Non Thrust Roller Bearings
Inventory	0.0
Manufacturer Name	SCHAEFFLER GROUP
Minimum Buy Quantity	N/A
Weight / Kilogram	0.07
EAN	4012802444308
Product Group	B04144
Rolling Element	Needle Roller Bearing
Component	Roller Assembly with Outer Ring - No Inner Ring
Enclosure	Open



## BEARING PRECISION AXLE CORP.

Self Aligning	No
Retainer	Yes
Number of Rows of Rollers	Single Row
Separable	No
Closed End	No
Inch - Metric	Metric
Relubricatable	No
Thrust Bearing	No
Long Description	55MM Bore; 63MM Outside Diameter; 20MM Width; Needle Roller Bearing; Roller Assembly with Outer Ring - No Inner Ring; Open Enclosure; No Self Aligning; Retainer; Single Row of Rollers; No Separable; N
Other Features	2 Rib Outer Ring   Drawn Cup Bearing   Steel Cage
Category	Needle Non Thrust Roller Bearing
UNSPSC	31171512
Harmonized Tariff Code	8482.40.00.00
Noun	Bearing
Keyword String	Needle
Manufacturer URL	<a href="http://www.ina.com">http://www.ina.com</a>
Manufacturer Item Number	HK5520
Weight / LBS	0.163
Bore	2.165 Inch   55 Millimeter
Outside Diameter	2.48 Inch   63 Millimeter
Width	0.787 Inch   20 Millimeter