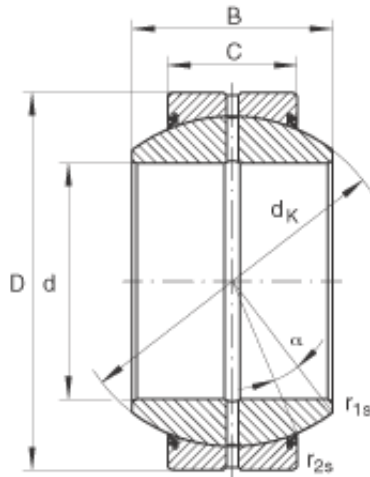




BEARING PRECISION AXLE CORP.



INA GE17-FO-2RS plain bearings

Bearing No. GE17-FO-2RS

Size	17x35x20 mm
Bore Diameter	17 mm
Outer Diameter	35 mm
Width	20 mm
C	12 mm
$D_{a \min}$	27,5 mm
$d_{a \max}$	21 mm
d_K	29 mm
$r_{1s \min}$	0,3 mm
$r_{2s \min}$	0,3 mm
alf (°)	19
Weight (kg)	0,077
C_r (N)	29600
C_{0r} (N)	148000
Category	Spherical Plain Bearings - Radial
Inventory	0.0
Manufacturer Name	SCHAEFFLER GROUP
Minimum Buy Quantity	N/A
Weight / Kilogram	0.093
EAN	4012802533231
Product Group	B04264
Self Aligning	Yes
Rolling Element	Spherical Plain
Material - Outer Member	Steel
Material - Ball	Steel

GE17-FO-2RS Bearing 2D drawings and 3D CAD models



BEARING PRECISION AXLE CORP.

Material - Liner	Not Applicable
Relubricatable	Yes
Enclosure	2 Seals
Other Features	2 Piece Single Axial Split in Outer Ring Wide Inner Ring with Increased Tilting Angle
Long Description	17MM Bore; 12MM Housing Width; 35MM Outside Diameter; Spherical Plain; Steel Outer Member; Steel Ball; No Liner; 20MM Overall Width; Relubricatable
Inch - Metric	Metric
Category	Plain Bearings Spherical Radial
UNSPSC	31171515
Harmonized Tariff Code	8483.30.80.70
Noun	Bearing
Keyword 3	Spherical
Keyword String	Plain Spherical Radial
Manufacturer URL	http://www.ina.com
Manufacturer Item Number	GE17FO2RS
Weight / LBS	0.172
Housing Width	0.472 Inch 12 Millimeter
Overall Width	0.787 Inch 20 Millimeter
Outside Diameter	1.378 Inch 35 Millimeter
Bore	0.669 Inch 17 Millimeter