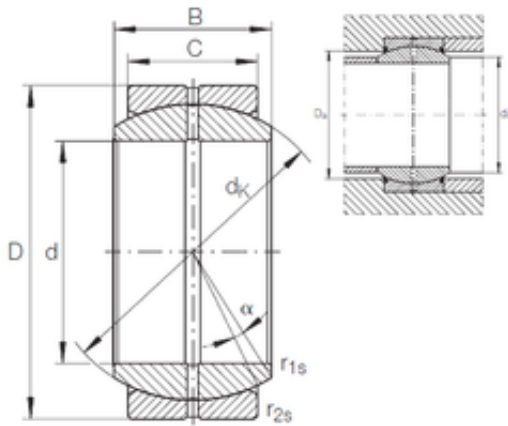




## BEARING PRECISION AXLE CORP.

6 mm x 14 mm x 6 mm INA GE 6 DO plain bearings



Bearing No. GE 6 DO

|                               |           |
|-------------------------------|-----------|
| Size                          | 6x14x6 mm |
| Bore Diameter                 | 6 mm      |
| Outer Diameter                | 14 mm     |
| Width                         | 6 mm      |
| d                             | 6 mm      |
| D                             | 14 mm     |
| B                             | 6 mm      |
| C                             | 4 mm      |
| dk                            | 10 mm     |
| r1 min.                       | 0,3 mm    |
| r2 min.                       | 0,3 mm    |
| da max                        | 8 mm      |
| Da min                        | 9,6 mm    |
| Angle                         | 13 °      |
| Weight                        | 0,004 Kg  |
| Basic dynamic load rating (C) | 3,4 kN    |

GE 6 DO Bearing 2D drawings and 3D CAD models