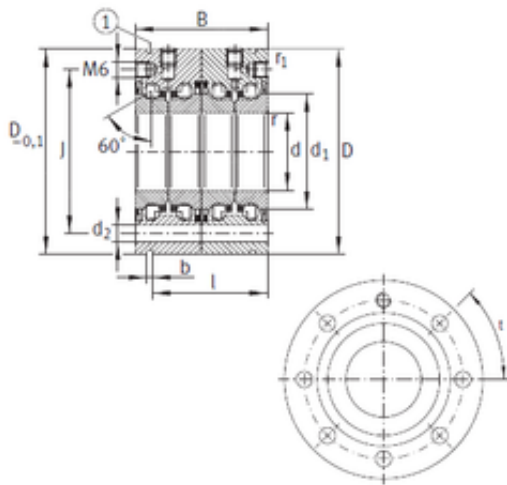




BEARING PRECISION AXLE CORP.



17 mm x 62 mm x 50 mm INA
ZKLF1762-2RS-2AP thrust ball bearings

Bearing No. ZKLF1762-2RS-2AP

ZKLF1762-2RS-2AP Bearing 2D drawings and 3D CAD models

Size	17x62x50 mm
Bore Diameter	17 mm
Outer Diameter	62 mm
Width	50 mm
d	17 mm
D	62 mm
B	50 mm
C	50 mm
Screw	6X60 °
l	3 mm
Angle (?)	60 °
b	42 mm
d1	30 mm
d2	6,8 mm
r min.	0,3 mm
r1 min.	0,6 mm
J	48 mm
Bolt (G)	M6X60
Weight	0,9 Kg
Basic dynamic load rating (C)	30,5 kN
Basic static load rating (C0)	62 kN
Category	Angular Contact Ball Bearings
Inventory	0.0
Manufacturer Name	SCHAEFFLER GROUP



BEARING PRECISION AXLE CORP.

Minimum Buy Quantity	N/A
Weight / Kilogram	1.078
EAN	4012802297140
Product Group	B00152
Enclosure	2 Seals
Flush Ground	No
Rolling Element	Ball Bearing
Number of Rows of Balls	Double Row
Precision Class	ABEC 1 ISO P0
Maximum Capacity / Filling Slot	No
Snap Ring	Yes
Cage Material	Plastic
Contact Angle	60 Degree
Internal Clearance	C0-Medium
Number of Bearings	2 (1 Pair)
Mounting Arrangement	Duplex-Face to Face
Inch - Metric	Metric
Long Description	17MM Bore; 62MM Outside Diameter; 50MM Width; 2 Seals; No Flush Ground; Ball Bearing; Double Row of Balls; ABEC 1 ISO P0; No Filling Slot; Yes Snap Ring; C0-Medium; Plastic Cage; 60 Degree; 2 (1 Pair)
Other Features	With Fixing Holes With Snap Ring Groove Matched Pair Bearing
Category	Angular Contact Ball Bearing
UNSPSC	31171531
Harmonized Tariff Code	8482.10.50.28
Noun	Bearing
Keyword String	Angular Contact



BEARING PRECISION AXLE CORP.

Manufacturer URL	http://www.ina.com
Weight / LBS	0.99208
Outside Diameter	2.441 Inch 62 Millimeter
Width	1.969 Inch 50 Millimeter
Bore	0.669 Inch 17 Millimeter