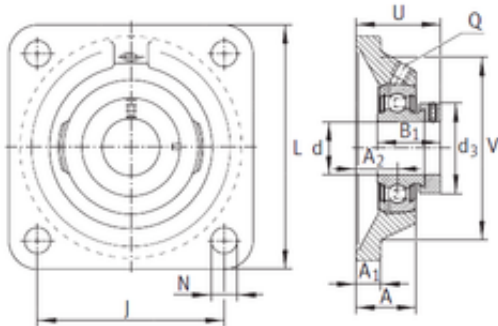




BEARING PRECISION AXLE CORP.

INA PCJ20-N bearing units



PCJ20-N Bearing 2D drawings and 3D CAD models

Bearing No. PCJ20-N

Bore Diameter	20 mm
d	20 mm
V	68 mm
U	42,5 mm
Thread (Q)	Rp1/8
d3	33 mm
A	29 mm
A1	10 mm
B1	31 mm
J	63,5 mm
L	86 mm
N	11,5 mm
A2	19 mm
Weight	0,6 Kg
Basic dynamic load rating (C)	12,8 kN
Category	Bearings
Inventory	0.0
Manufacturer Name	SCHAEFFLER GROUP
Minimum Buy Quantity	N/A
Weight / Kilogram	0.61
Product Group	M06110