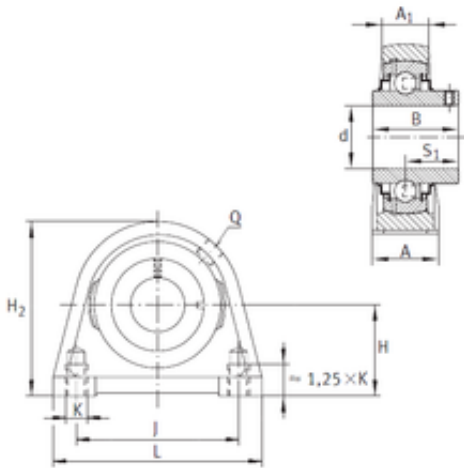




BEARING PRECISION AXLE CORP.

INA RSHEY30-N bearing units

Bearing No. RSHEY30-N



RSHEY30-N Bearing 2D drawings and 3D CAD models

Bore Diameter	30 mm
d	30 mm
Thread (Q)	Rp1/8
Thread (K)	M10
A	40 mm
A1	25 mm
B	38,1 mm
H	42,9 mm
H2	82 mm
J	76,2 mm
L	98 mm
S	22,2 mm
Weight	0,94 Kg
Basic dynamic load rating (C)	19,5 kN
Category	Pillow Block Bearings
Inventory	0.0
Manufacturer Name	SCHAEFFLER GROUP
Minimum Buy Quantity	N/A
Weight / Kilogram	1.281
EAN	4012802796964
Product Group	M06110
Number of Mounting Holes	2
Mounting Method	Set Screw
Housing Style	2 Bolt Tap Base Pillow Block
Rolling Element	Ball Bearing
Housing Material	Cast Iron



BEARING PRECISION AXLE CORP.

Expansion / Non-expansion	Non-expansion
Mounting Bolts	10 Millimeter
Relubricatable	Yes
Insert Part Number	GYE30KRRB
Seals	Double Land Riding Rubber Contact
Housing Configuration	1 Piece Solid
Inch - Metric	Metric
Other Features	Single Row Radial Metric With Grub Screw
Long Description	2 Bolt Tap Base Pillow Block; 30MM Bore; 42.9MM Base to Center Height; Set Screw Mount; Ball Bearing; Relubricatable; Cast Iron; Double Land Riding Rubber Contact; Non-expansion
Category	Pillow Block
UNSPSC	31171511
Harmonized Tariff Code	8483.20.40.40
Noun	Bearing
Keyword String	Pillow Block
Manufacturer URL	http://www.ina.com
Manufacturer Item Number	RSHEY30
Weight / LBS	2.58
Base to Center Height	1.689 Inch 42.9 Millimeter
Length Thru Bore	1.5 Inch 38.1 Millimeter
Actual Bolt Center to Center	3 Inch 76Millimeter
Bore	1.181 Inch 30 Millimeter
Nominal Bolt Center to Center	3 Inch 76 Millimeter