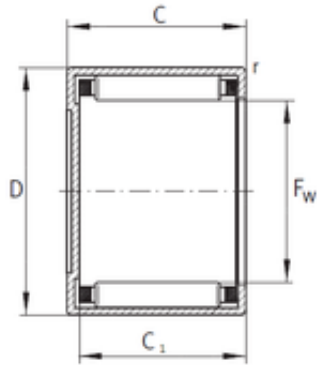




BEARING PRECISION AXLE CORP.

INA BCE3216 needle roller bearings



Bearing No. BCE3216

Size	50.8x60.325x25.4 mm
Bore Diameter	50,8 mm
Outer Diameter	60,325 mm
Width	25,4 mm
Fw	50,8 mm
D	60,325 mm
C	25,4 mm
Weight	0,102 Kg
Basic dynamic load rating (C)	41,5 kN
Basic static load rating (C0)	80 kN

BCE3216 Bearing 2D drawings and 3D CAD models