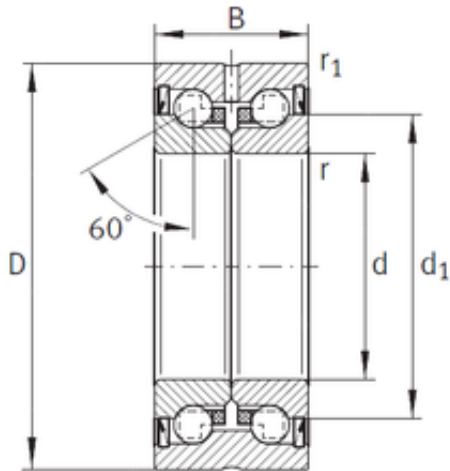




# BEARING PRECISION AXLE CORP.



40 mm x 90 mm x 46 mm INA ZKLN4090-2RS  
thrust ball bearings

Bearing No. ZKLN4090-2RS

ZKLN4090-2RS Bearing 2D drawings and 3D CAD models

Size	40x90x46 mm
Bore Diameter	40 mm
Outer Diameter	90 mm
Width	46 mm
d	40 mm
D	90 mm
B	46 mm
C	46 mm
Angle (?)	60 °
d1	65 mm
r min.	0,6 mm
r1 min.	0,6 mm
Weight	0,95 Kg
Basic dynamic load rating (C)	72 000 kN
Basic static load rating (C0)	149 000 kN
Category	Angular Contact Ball Bearings
Inventory	0.0
Manufacturer Name	SCHAEFFLER GROUP
Minimum Buy Quantity	N/A
Weight / Kilogram	1.572
EAN	4012802079098
Product Group	B00152
Enclosure	2 Seals
Flush Ground	No



## BEARING PRECISION AXLE CORP.

Rolling Element	Ball Bearing
Number of Rows of Balls	Double Row
Precision Class	ABEC 1   ISO P0
Maximum Capacity / Filling Slot	No
Snap Ring	No
Cage Material	Plastic
Contact Angle	60 Degree
Internal Clearance	C0-Medium
Number of Bearings	1 (Single)
Inch - Metric	Metric
Long Description	40MM Bore; 90MM Outside Diameter; 46MM Width; 2 Seals; No Flush Ground; Ball Bearing; Double Row of Balls; ABEC 1   ISO P0; No Filling Slot; No Snap Ring; C0-Medium; Plastic Cage; 60 Degree; 1 (Single)
Other Features	With Fixing Holes
Category	Angular Contact Ball Bearing
UNSPSC	31171531
Harmonized Tariff Code	8482.10.50.28
Noun	Bearing
Keyword String	Angular Contact
Manufacturer URL	<a href="http://www.ina.com">http://www.ina.com</a>
Weight / LBS	2.09439
Outside Diameter	3.543 Inch   90 Millimeter
Width	1.811 Inch   46 Millimeter
Bore	1.575 Inch   40 Millimeter