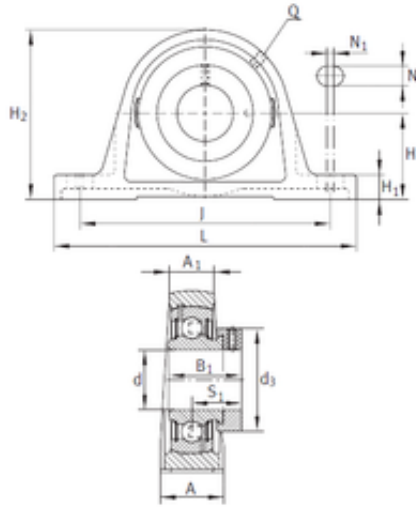




BEARING PRECISION AXLE CORP.



INA PAK1-1/8 bearing units

Bearing No. PAK1-1/8

Bore Diameter	28,575 mm
d	28,575 mm
S1	26,797 mm
Thread (Q)	1/8 NPT
d3	43,993 mm
A	41,504 mm
A1	26,01 mm
B	35,789 mm
H	39,701 mm
H1	16,993 mm
H2	80,493 mm
J	117,247 mm
L	157,15 mm
N	15,012 mm
N1	8,459 mm
Category	Pillow Block Bearings
Inventory	0.0
Manufacturer Name	SCHAEFFLER GROUP
Minimum Buy Quantity	N/A
Weight / Kilogram	1.3
Product Group	M06110
Number of Mounting Holes	2
Mounting Method	Eccentric Collar
Housing Style	2 Bolt Pillow Block
Rolling Element	Ball Bearing
Housing Material	Cast Iron

PAK1-1/8 Bearing 2D drawings and 3D CAD models



BEARING PRECISION AXLE CORP.

Expansion / Non-expansion	Non-expansion
Relubricatable	Yes
Insert Part Number	GRA102NPPB
Seals	Double Lip Contact
Housing Configuration	1 Piece Solid
Inch - Metric	Inch
Other Features	Single Row Spherical Low Base With Set Screw
Long Description	2 Bolt Pillow Block; 1-1/8" Bore; 1-9/16" Base to Center Height; Eccentric Collar Mount; Ball Bearing; 4.284" Minimum Bolt Spacing; 4.949" Bolt Spacing Maximum; Relubricatable; Cas
Category	Pillow Block
UNSPSC	31171511
Harmonized Tariff Code	8483.20.40.40
Noun	Bearing
Keyword String	Pillow Block
Manufacturer URL	http://www.ina.com
Manufacturer Item Number	PAK1-1/8
Weight / LBS	2.867
Bore	1.125 Inch 28.575 Millimeter
Bolt Spacing Minimum	4.284 Inch 108.814 Millimeter
Bolt Spacing Maximum	4.949 Inch 125.7 Millimeter
Actual Bolt Center to Center	0 Inch 0 Millimeter
Length Thru Bore	1.406 Inch 35.7 Millimeter
Base to Center Height	1.563 Inch 39.7 Millimeter
Nominal Bolt Center to Center	4.6 Inch 118 Millimeter