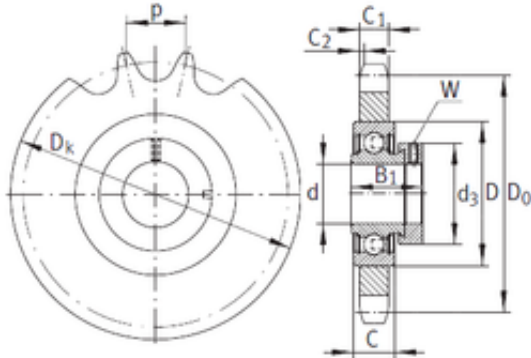




BEARING PRECISION AXLE CORP.

INA KSR20-B0-16-10-10-15 bearing units



Bearing No. KSR20-B0-16-10-10-15

Bore Diameter	20 mm
d	20 mm
Number of teeth	10
Do	82,3 mm
Dk	89,4 mm
d3	33 mm
B1	31 mm
C	14 mm
C1	15,3 mm
D	47 mm
W	3 mm
C2	2 mm
Weight	0,5 Kg

KSR20-B0-16-10-10-15 Bearing 2D drawings and 3D CAD models