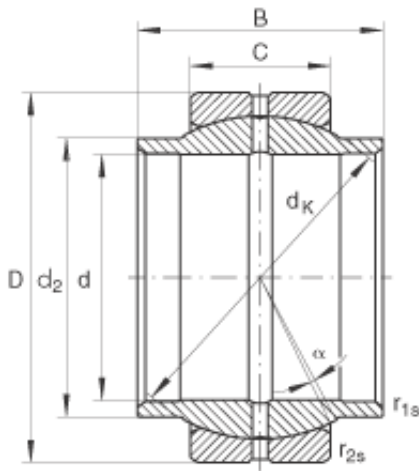




BEARING PRECISION AXLE CORP.



GE40-LO Bearing 2D drawings and 3D CAD models

INA GE40-LO plain bearings

Bearing No. GE40-LO

Size	40x62x40 mm
Bore Diameter	40 mm
Outer Diameter	62 mm
Width	40 mm
C	22 mm
$D_{a \min}$	51 mm
d_2	46 mm
d_k	53 mm
$r_{1s \min}$	0,6 mm
$r_{2s \min}$	1 mm
α (°)	4
Weight (kg)	0,33
C_r (N)	99100
C_{0r} (N)	496000
Category	Spherical Plain Bearings - Radial
Inventory	0.0
Manufacturer Name	SCHAEFFLER GROUP
Minimum Buy Quantity	N/A
Weight / Kilogram	0.419
EAN	4012802533682
Product Group	B04264
Self Aligning	Yes
Rolling Element	Spherical Plain
Material - Outer Member	Steel
Material - Ball	Steel



BEARING PRECISION AXLE CORP.

Material - Liner	Not Applicable
Relubricatable	Yes
Enclosure	Open
Other Features	2 Piece Single Axial Split in Outer Ring Extended Inner Ring on Both Sides
Long Description	40MM Bore; 22MM Housing Width; 62MM Outside Diameter; Spherical Plain; Steel Outer Member; Steel Ball; No Liner; 40MM Overall Width; Relubricatable
Inch - Metric	Metric
Category	Plain Bearings Spherical Radial
UNSPSC	31171515
Harmonized Tariff Code	8483.30.80.70
Noun	Bearing
Keyword 3	Spherical
Keyword String	Plain Spherical Radial
Manufacturer URL	http://www.ina.com
Manufacturer Item Number	GE40LO
Weight / LBS	0.75
Bore	1.575 Inch 40 Millimeter
Outside Diameter	2.441 Inch 62 Millimeter
Overall Width	1.575 Inch 40 Millimeter
Housing Width	0.866 Inch 22 Millimeter