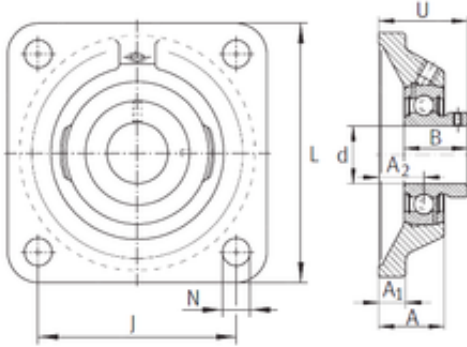




BEARING PRECISION AXLE CORP.

INA PCJY1-3/16 bearing units



PCJY1-3/16 Bearing 2D drawings and 3D CAD models

Bearing No. PCJY1-3/16

Bore Diameter	30,163 mm
d	30,163 mm
V	94,005 mm
U	40,996 mm
Thread (Q)	1/8 NPT
A	32,004 mm
A1	13,005 mm
B	29,997 mm
J	82,499 mm
L	108,509 mm
N	11,506 mm
A2	19,99 mm
Category	Flange Block Bearings
Inventory	0.0
Manufacturer Name	SCHAEFFLER GROUP
Minimum Buy Quantity	N/A
Weight / Kilogram	1.3
Product Group	M06110
Number of Mounting Holes	4
Mounting Method	Set Screw
Housing Style	4 Bolt Square Flange Block
Rolling Element	Ball Bearing
Housing Material	Cast Iron
Expansion / Non-expansion	Non-expansion
Mounting Bolts	29/64 Inch
Relubricatable	Yes



BEARING PRECISION AXLE CORP.

Insert Part Number	GAY103NPPB
Seals	Double Lip Contact
Housing Configuration	1 Piece Solid
Pilot Configuration	No Pilot
Inch - Metric	Inch
Long Description	4 Bolt Square Flange Block; 1-3/16" Bore; 4.7" Bolt Circle; 3.248" Bolt Spacing; 1 Piece Solid; Set Screw Mount; Cast Iron; Ball Bearing; 1.181" Length Thru Bore; Relubricatable; D
Other Features	Single Row With Grub Screw
Category	Flange Block
UNSPSC	31171501
Harmonized Tariff Code	8483.20.40.40
Noun	Bearing
Keyword String	Flanged
Manufacturer URL	http://www.ina.com
Manufacturer Item Number	PCJY1-3/16
Weight / LBS	2.867
Cartridge Pilot Diameter	0 Inch 0 Millimeter
Length Thru Bore	1.181 Inch 30 Millimeter
Nominal Bolt Circle Diameter Round	4.7 Inch 120 Millimeter
Cartridge Pilot Depth	0 Inch 0 Millimeter
Bolt Spacing	3.248 Inch 82.5 Millimeter
Bore	1.188 Inch 30.175 Millimeter