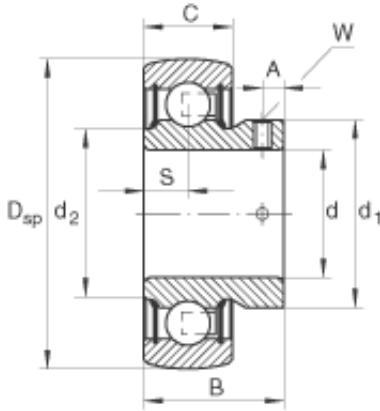




BEARING PRECISION AXLE CORP.

INA AY20-NPP-B deep groove ball bearings



Bearing No. AY20-NPP-B

AY20-NPP-B Bearing 2D drawings and 3D CAD models

Size	20x47x25 mm
Bore Diameter	20 mm
Outer Diameter	47 mm
Width	25 mm
d	20 mm
D _{SP}	47 mm
B	25 mm
A	4,5 mm
C	14 mm
d ₁	28,3 mm
d ₂	26,7 mm
S	7 mm
W	2,5 mm
m	0,13 kg / Weight
C _r	13600 N / Dynamic load rating (radial)
C _{0r}	6600 N / Static load rating (radial)
Category	Insert Bearings Spherical OD
Inventory	0.0
Manufacturer Name	SCHAEFFLER GROUP
Minimum Buy Quantity	N/A
Weight / Kilogram	0.156
EAN	4012802787030
Product Group	M06110
Inner Race Profile	Narrow Inner Ring



BEARING PRECISION AXLE CORP.

Outer Race Profile	Spherical
Relubricatable	No
Seal Type	Double Lip Contact
Mounting Method	Set Screw
Rolling Element	Ball Bearing
Snap Ring	No
Long Description	20MM Bore; Narrow Inner Ring; Ball Bearing; 25MM Length Thru Bore; 14MM Outer Race Width; 47MM Outside Diameter; Not Relubricatable; Double Lip Contact Seal; Set Screw Mounting Method; No Snap Ring
Inch - Metric	Metric
Other Features	Single Row Grub Screw Corrotect Coating Metric
Category	Insert Bearings
UNSPSC	31171536
Harmonized Tariff Code	8482.10.50.00
Noun	Bearing
Keyword String	Insert
Manufacturer URL	http://www.ina.com
Manufacturer Item Number	AY20NPPB
Weight / LBS	0.287
Bore	0.787 Inch 20 Millimeter
Outside Diameter	1.85 Inch 47 Millimeter
Length Thru Bore	0.984 Inch 25 Millimeter
Outer Race Width	0.551 Inch 14 Millimeter