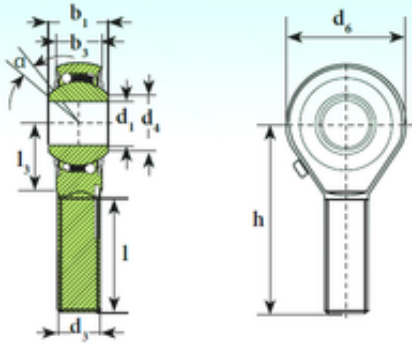




BEARING PRECISION AXLE CORP.

ISB TSM 12 BB-O self aligning ball bearings

Bearing No. TSM 12 BB-O



TSM 12 BB-O Bearing 2D drawings and 3D CAD models

Bore Diameter	12 mm
d1	12 mm
l	33 mm
b1	16 mm
d4	14,5 mm
d6	32 mm
h	54 mm
l3 min.	19 mm
B3	12 mm
Thread (G)	M12
Angle	7,5 °
Weight	0,087 Kg
Basic dynamic load rating (C)	4,95 kN
Basic static load rating (C0)	1,8 kN
Limiting speed	1125 r/min
Calculation factor (Y)	1,74